

TPRIM
0219

Installation Manual

Parina Shower Column Chrome

TPR-507-CP

Parina Brassware
Parina Rubineti



TISSINO

Designed to Inspire
Made to Experience

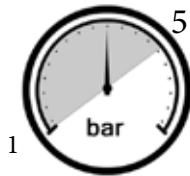
1



$65 \pm 5^\circ\text{C}$



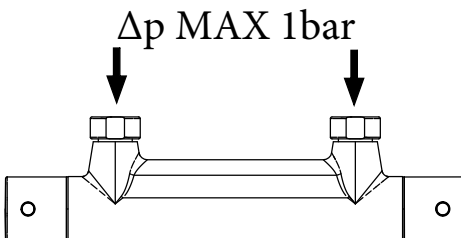
$15 \pm 5^\circ\text{C}$



MIN - MAX

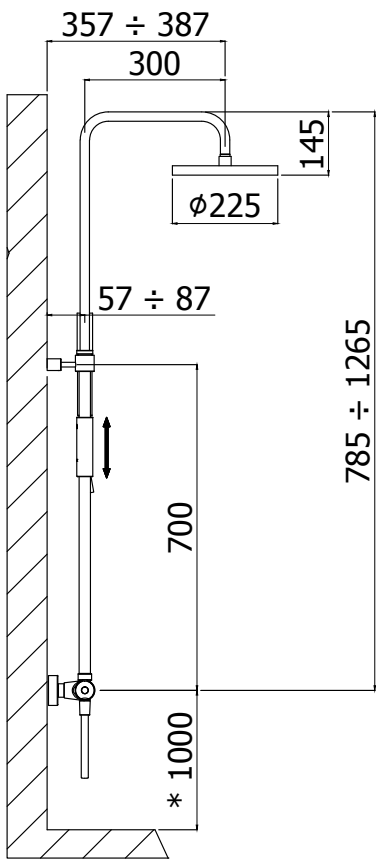


OK

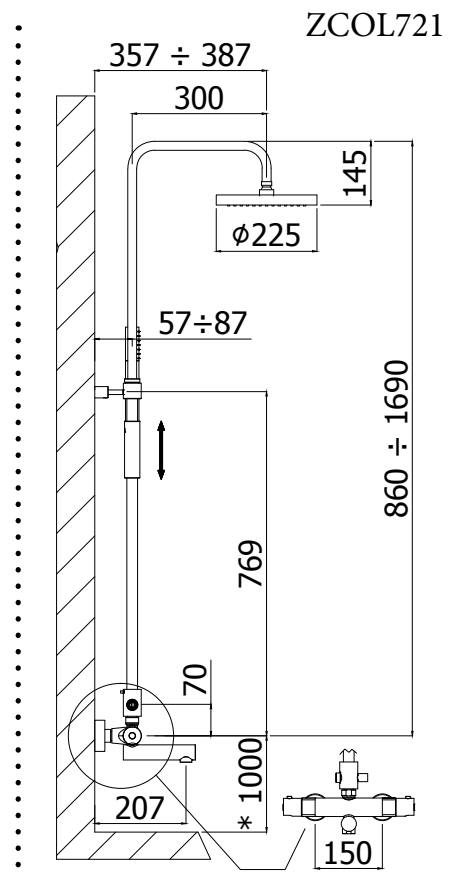


different inlet water pressure

2

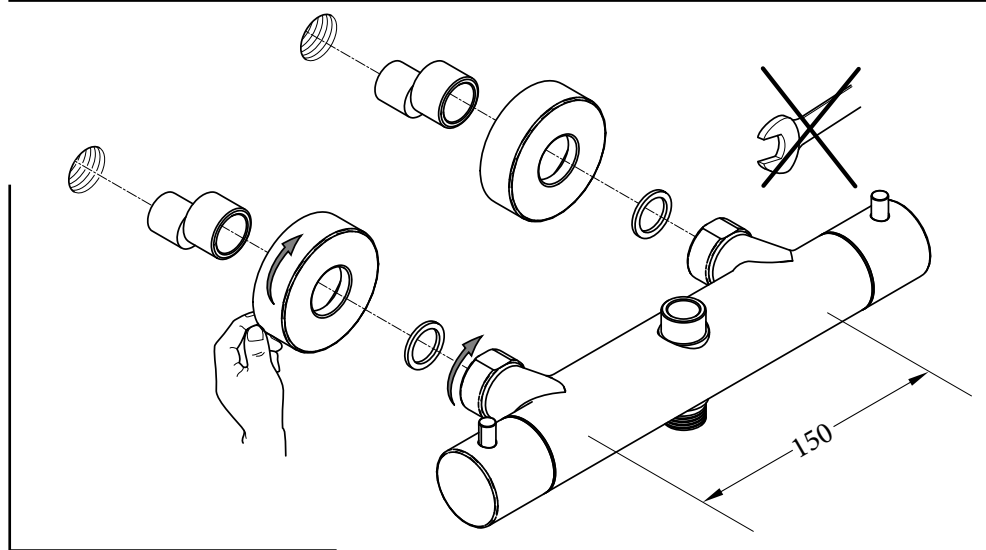


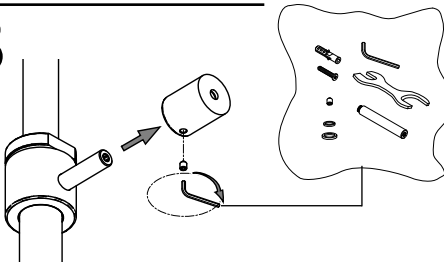
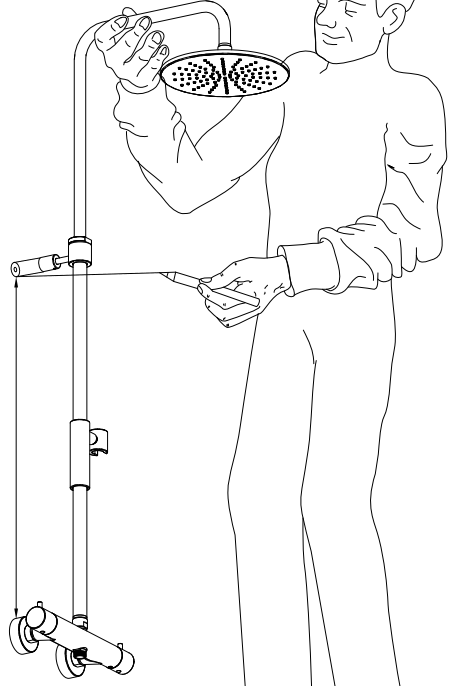
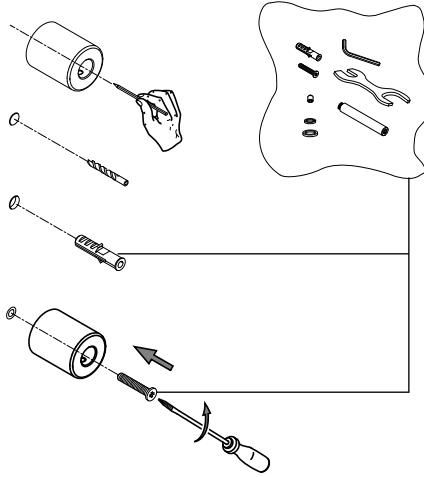
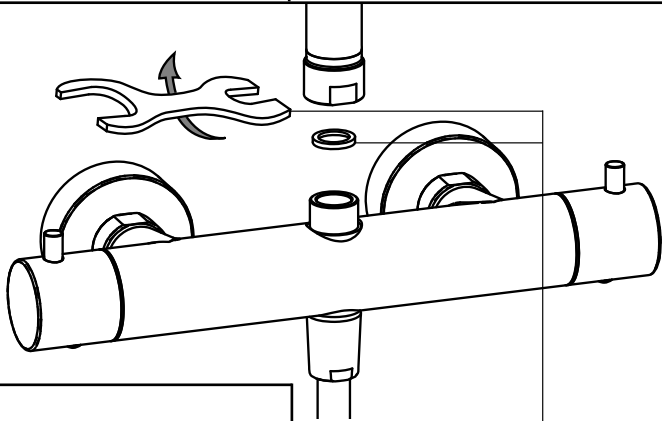
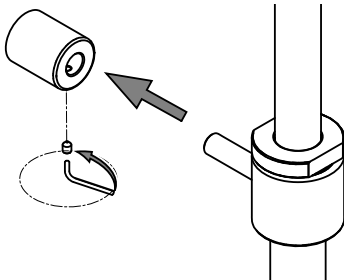
Suggested Size*



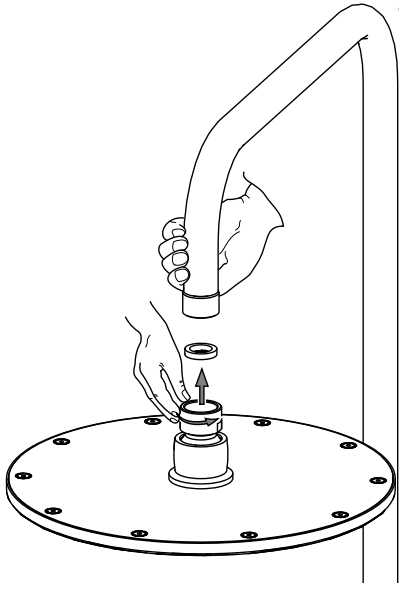
ZCOL721

Suggested Size*

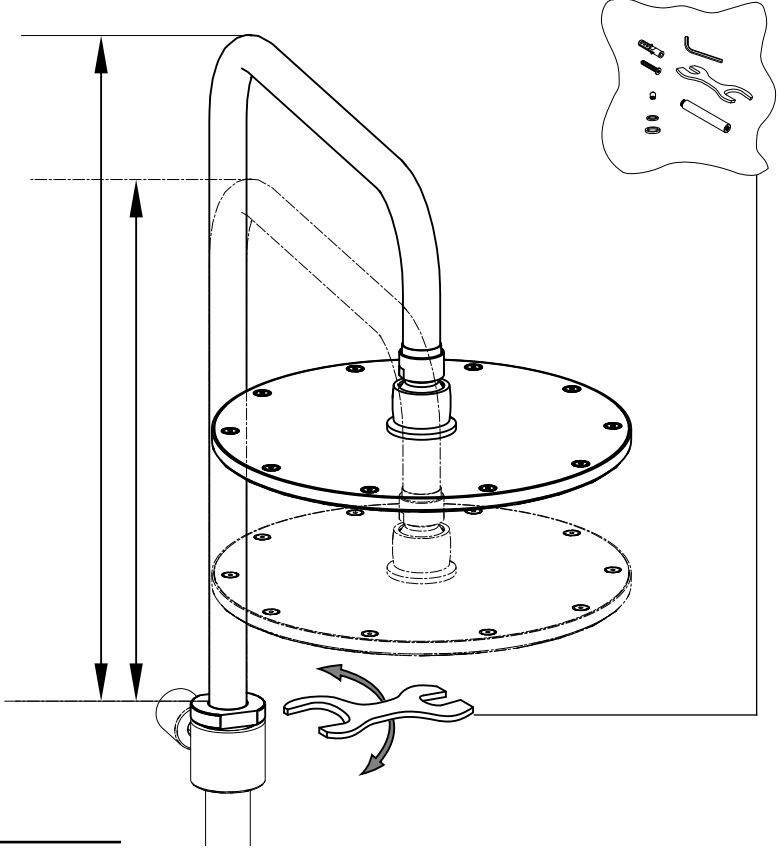


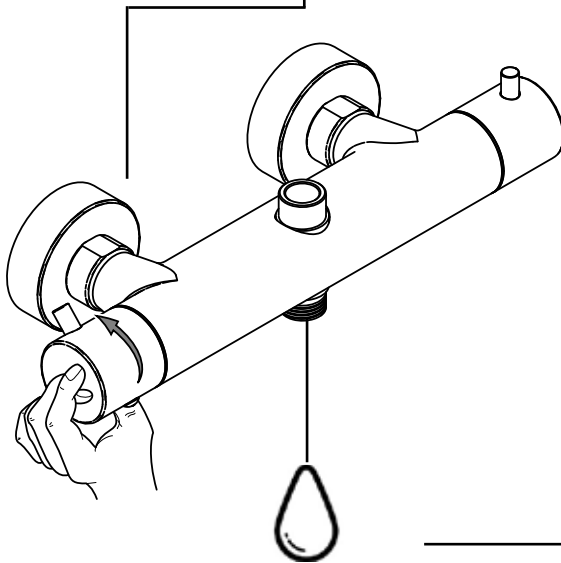
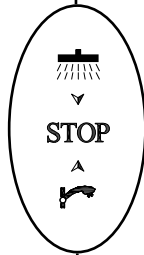
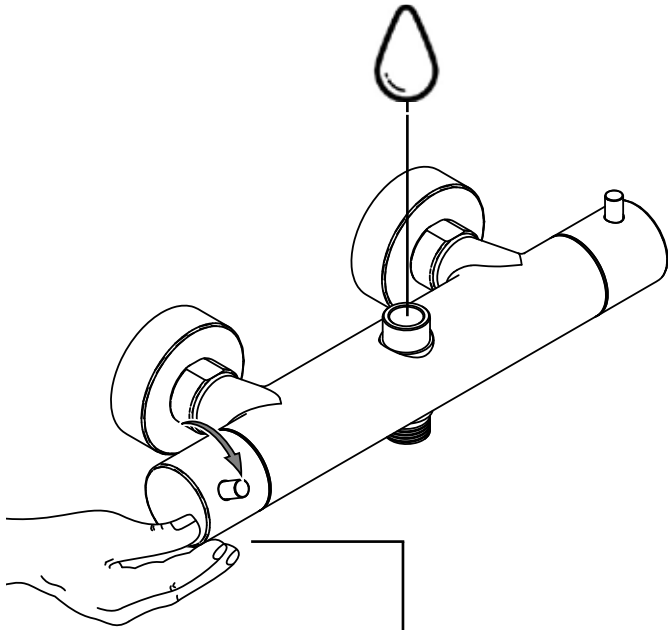
3**4****5****6****7**

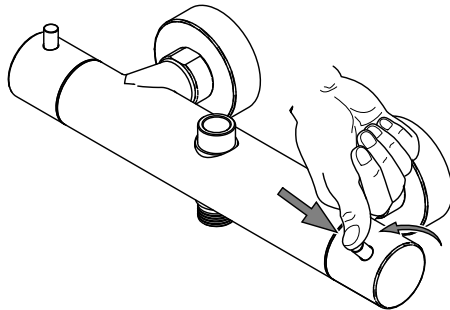
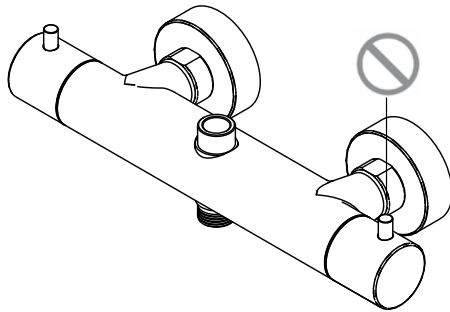
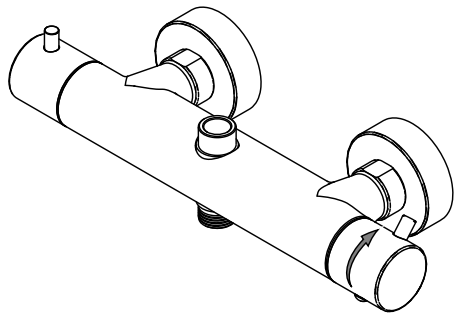
8



9





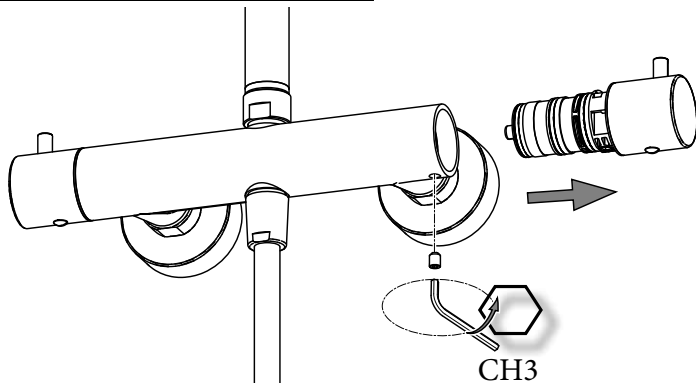


Service

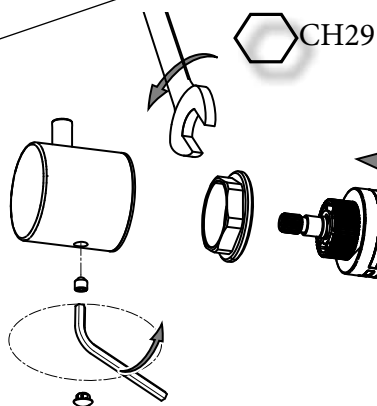
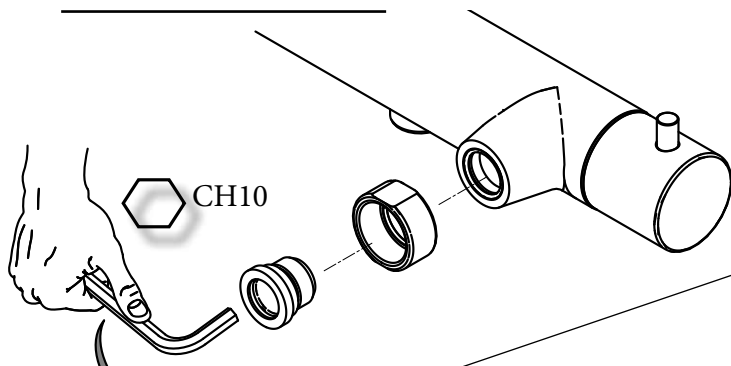


S

How to replace Thermostatic Cartridge

a**b**

How to replace Seat for Nut



c How to replace Diverter

tissino

Designed to Inspire
Made to Experience

T 0345 582 8000
E info@tissino.co.uk
W tissino.co.uk

Lyncastle Road
Appleton Thorn
Warrington WA4 4SN