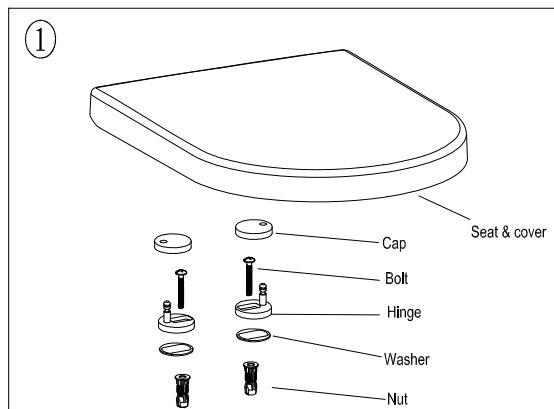
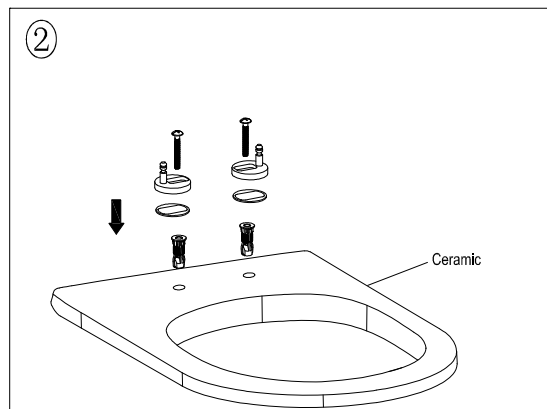


# Installation instruction of Toilet Seat

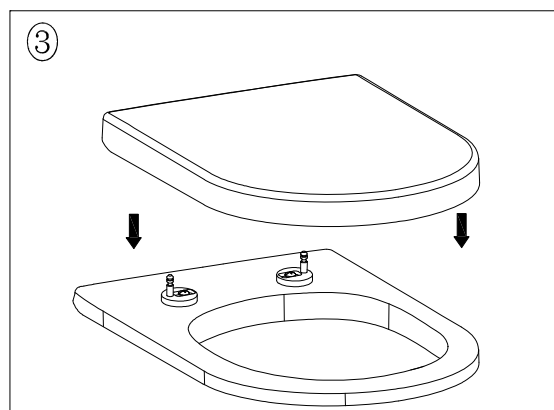
User please read the manual thoroughly before using



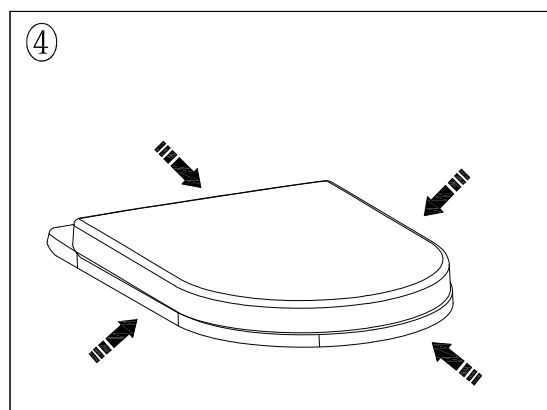
1.All parts.



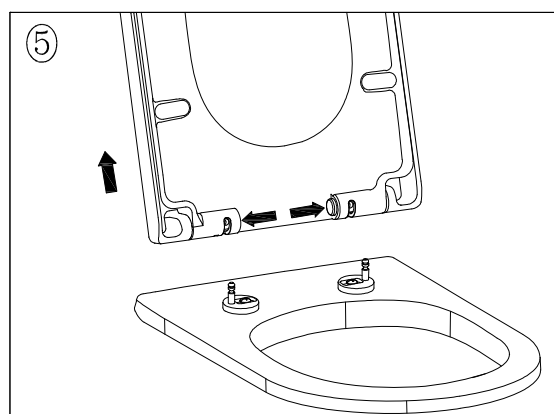
2.Follow the illustration to insert the parts into the ceramic holes orderly.



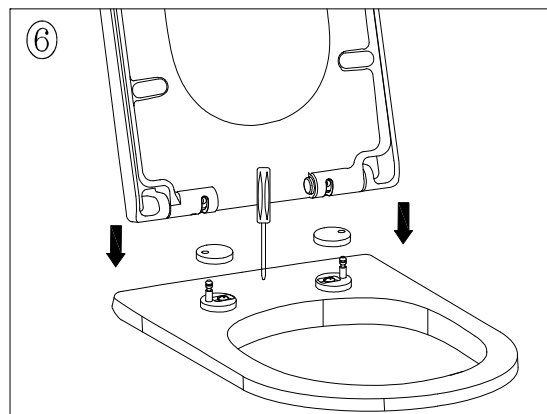
3.Install the toilet seat & cover to the hinges.



4.Adjust the S&C to appropriate position to match the pan well.



5.Click the two buttons to release the seat and cover.



6.Tighten the screw and fix the cover and seat after covering the two caps on the hinges.

Attention:If the product is different from the drawing,Please take the objects as right.